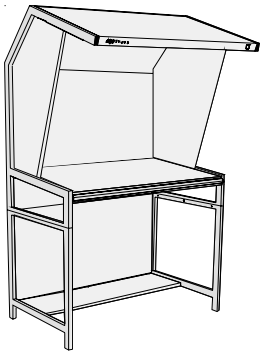
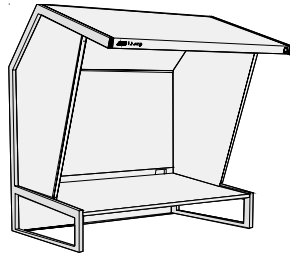


CVX Ordering Guide

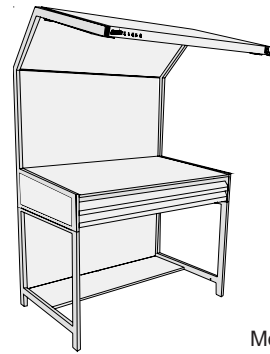
Choose one of the package options shown, or....create your own!



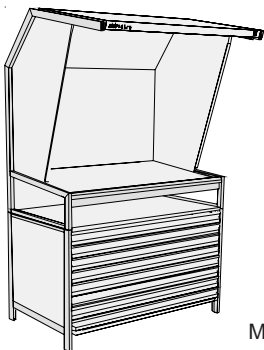
CVX-1
Model: CVX-1



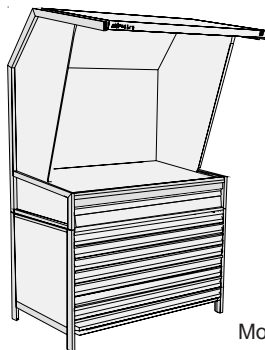
CVX-B
Model: CVX-1/NS



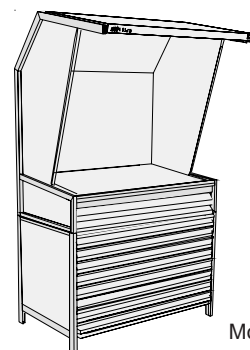
CVX-C
Model: CVX-1/2F
Shown w/o included side walls installed



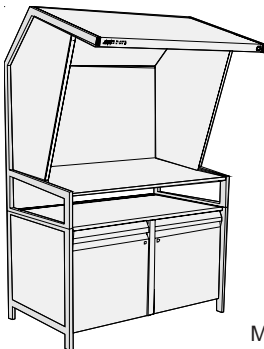
CVX-D
Model: CVX-1/FD*



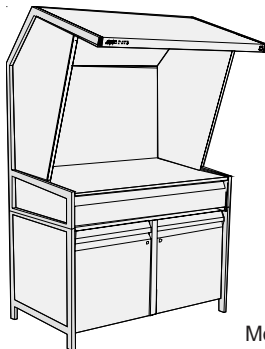
CVX-E
Model: CVX-1/FD/1F*



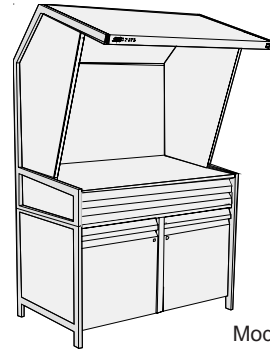
CVX-F
Model: CVX-1/FD/2F*



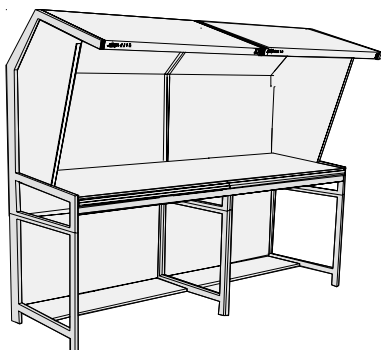
CVX-G
Model: CVX-1/SC



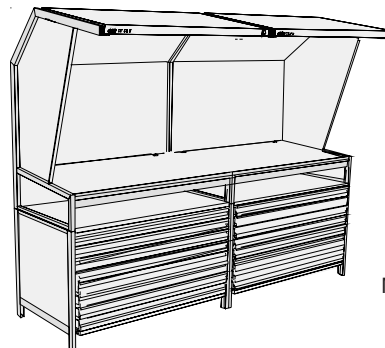
CVX-H
Model: CVX-1/SC/1F



CVX-I
Model: CVX-1/SC/2F



CVX-J
Model: CVX-2



CVX-K
Model: CVX-2/FD**

Please add crating fee charges:
* \$125.00
** \$250.00

GTI Graphic Technology, Inc.

211 Dupont Avenue, P.O. Box 3138 | Newburgh, New York 12550 | Tel: 845-562-7066 | Fax: 845-562-2543 | Web: www.gtillite.com